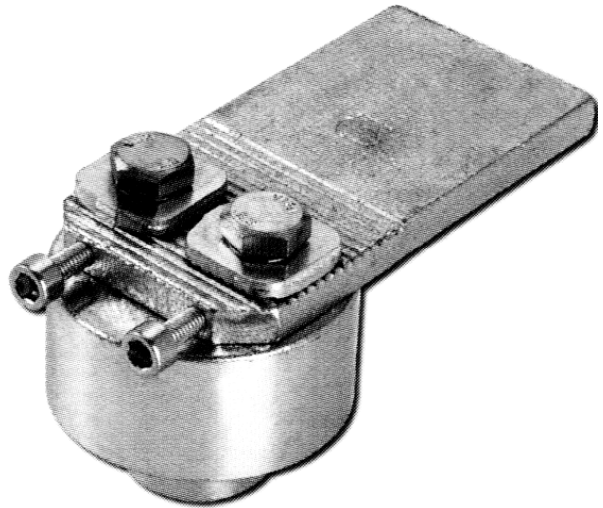
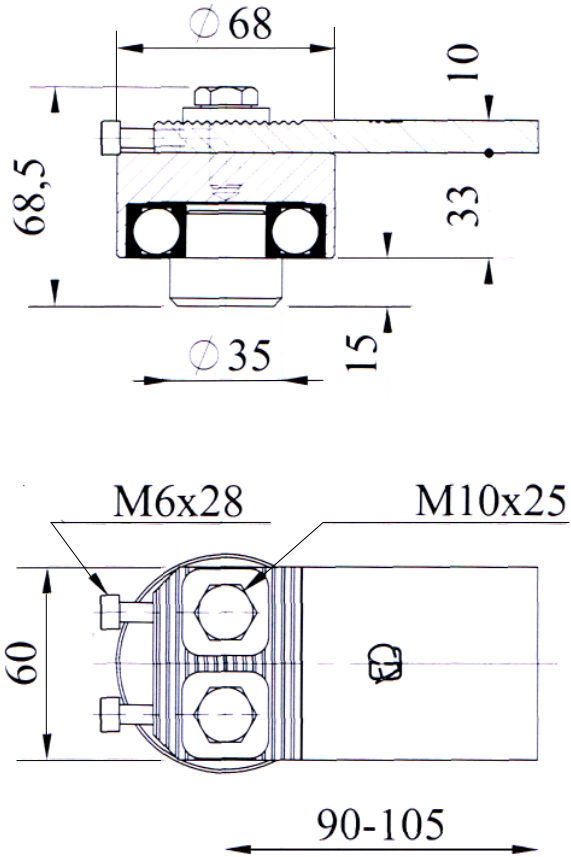
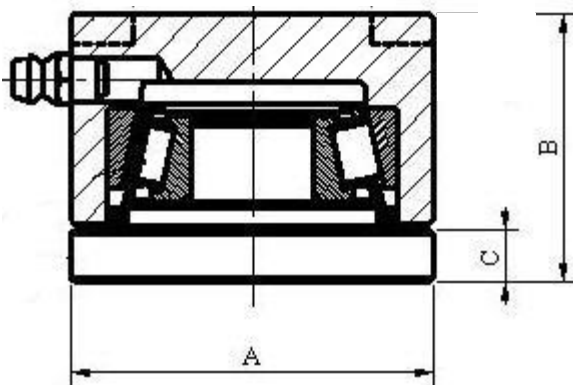


# 345-R Adjustable Top Hinge & 346-G Bottom Plate with Thrust Bearing

## 345-R Adjustable Top Hinge



## 346-G Bottom Plate with Thrust Bearing



Code	A mm	B mm	C mm
346G	68	40	8

